

A young girl with blonde braids, wearing a pink and white striped shirt, is washing a red apple under a modern chrome faucet. She is holding the faucet handle with her right hand. Water is spraying from the faucet onto the apple. The background is a bright, blurred kitchen setting.

hansgrohe

**The most enjoyable  
workplace in the home.**

With innovative sinks and mixers by hansgrohe



Sink combo C51-F660-07

# Contents

---

## Company

---

- 4 Tradition
- 5 Quality

## The heart of the kitchen

---

- 8 Design
- 10 Material and colours
- 12 Size and installation options
- 14 Functions
- 24 sBox

## Range

---

- 28 Sink combination units in stainless steel
- 30 Sinks in stainless steel
- 32 Sink combination units in granite SilicaTec
- 34 Sinks in granite SilicaTec
- 36 Kitchen mixers
- 41 Technologies

## Sponsoring

---

- 42 Cycling



### Quality borne by tradition

We are at your side. You can always trust our quality promise of Made by hansgrohe.

## Design

### Design by hansgrohe

In collaboration with Phoenix Design, we develop products that set the standards both in look and in function.

## 5 YEARS GUARANTEE

### Customer satisfaction guaranteed

We always set ourselves the very highest standards so we are able to give 5 years' guarantee on all our products.

The Hansgrohe company

# Forever the pioneer

Never satisfied with anything less than ground-breaking, Hans Grohe was a genuine pioneer, constantly striving for innovation. At a time when the idea of a bathroom in a family home was barely imaginable and a daily shower a flight of fantasy, he was already working on the first showerheads, setting new standards in bathrooms across Europe. Today with thirty-four companies and twenty-one sales offices supplying one and

hundred and forty-two countries worldwide, the hansgrohe brand is recognised as one of the few global players in the sanitary industry. Now as then, hansgrohe production remains for the most part in the Black Forest region, endorsing its "Made in Germany" maxim and continuing its founder's original values. The Hansgrohe Group is also an industry pioneer in fostering sustainability and environmental protection. This is reflected in its many

water and energy-saving products as well as in eco-friendly production technologies, global environmental protection projects and particularly the sustainable handling of water as one of our planet's most valuable resources.



Hansgrohe: leading from the front since 1901.

Quality you can count on

# We work hard to always exceed your expectations

At hansgrohe, we build on long-practiced expertise to ensure the highest quality in form and function. We believe, and always have, that "Made in Germany" is a blueprint for success. Almost all our products are manufactured where hansgrohe was first established – our home in the Black Forest. Our philosophy is to offer customers long-lasting

solutions that that set standards in functionality and quality. To this end we continue in our research and development as we always have. Combining fresh thinking with traditional understanding is how we ensure success in the future for everyone engaged with hansgrohe.



**Environmental responsibility:** Sustainability, environmental and climate change are key concerns in everything we do. Our worldwide conservation projects and informative work on the preservation of water resources help improve the ecosystem. We employ renewable energies, efficient recycling systems and heat recovery during production to reduce CO<sub>2</sub> emissions. Choosing hansgrohe means choosing long-lasting quality and ecologically-responsible manufacturing.

**5 YEARS**  
GUARANTEE

**Highest standards:** We only employ high quality materials that are approved for drinking water applications. These are subjected to long-term tests to assure their compliance with all kitchen requirements. Adherence to current standards and the precise fitting of every single component ensures their safe, user-friendly function for years to come. The guidelines we have drawn up for ourselves on product safety far exceed the majority of specifications in this sector. That's why hansgrohe has no doubts whatsoever about offering a 5-year warranty on every product.



**Industry stimulus:** At hansgrohe around 30% of our turnover is achieved with new products less than three years old. It's this capacity for fresh new ideas that makes us one of the most innovative leaders in our industry. Many new products initiated, designed and developed by hansgrohe have been welcomed all over the world. Some of them have made industry history and some have even made cultural history.

# The heart of the kitchen





Award for outstanding design



# Fresh thinking creates new opportunities

Any sink must first of all be functional and long-lasting. If its design is appealing too, it is an ideal choice for any dream kitchen. Naturally every hansgrohe sink demonstrates precisely those same satisfying characteristics. Hand-welded stainless steel or natural granite

SilicaTec are the foundations of these high-quality sinks. Their clear-cut rectangular shape combines clean lines with minimalist design to blend perfectly with a modern kitchen environment. The basin rim's asymmetrical design adds a unique aesthetic appeal and

unites the sink and spout, plus the control unit if relevant, in one harmonious unit. And easier control is achieved with a new concept using a tilt lever or the Select button.



Sink combo C71-F660-08

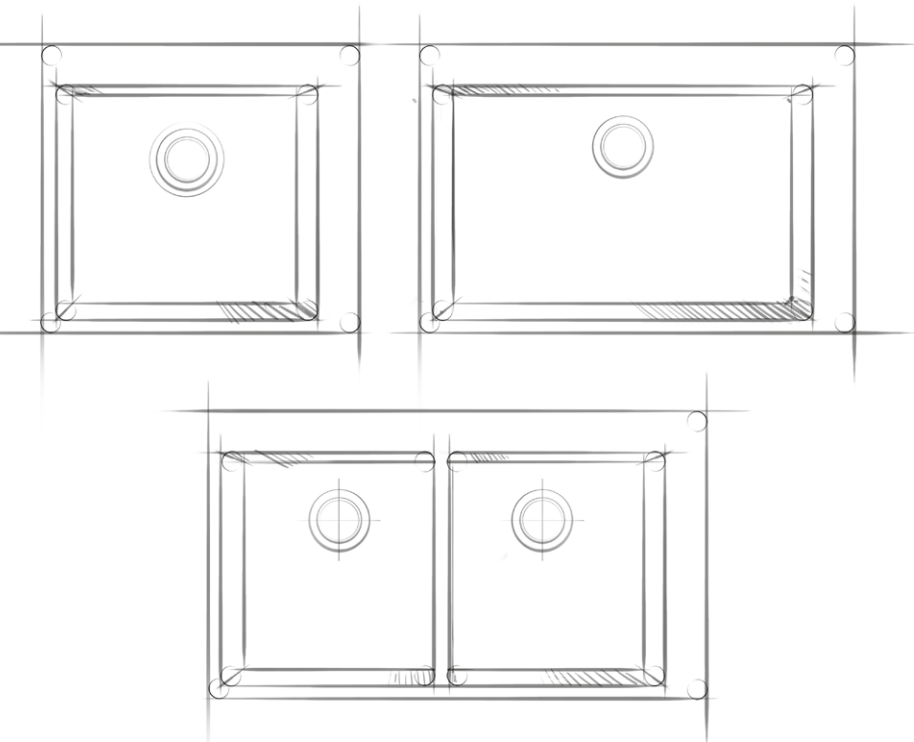
The Hansgrohe SE has already won over 550 awards in fifty international design competitions, making hansgrohe one of most successful companies in the market. Ranked sixth in 2017 by the renowned International

Forum Design (iF), we were the highest-placed organisation in the industry. Design however is never an end in itself but rather the best expression of innovative function and advanced form.

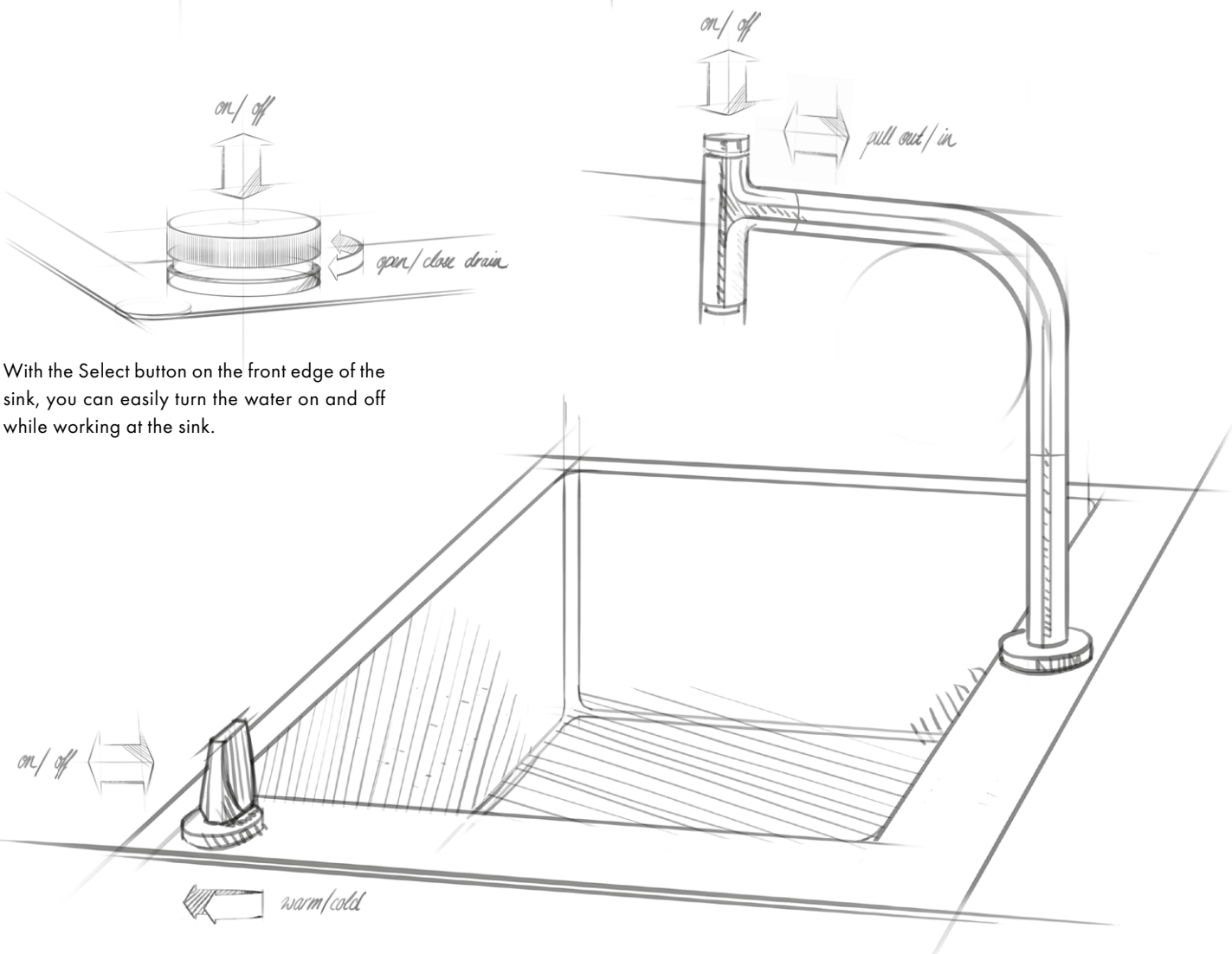


reddot design award





Developed in co-operation with Phoenix Design, the sink series is a revolution in design and function. Exclusively processed materials form the base while generous lines and a rectangular shape blend perfectly with a modern functional kitchen. The wide basin rim ensures the sink, control unit and mixer visually merge into one single unit. And you can choose from wide range of different sink shapes to create the kitchen of your dreams.



With the Select button on the front edge of the sink, you can easily turn the water on and off while working at the sink.

The tilt lever also turns the water on and off and is used to select the water temperature. The water flow can then be stopped or restarted at any time using the Select button on the mixer.

New benchmarks in the kitchen

# High-quality materials stainless steel and granite SilicaTec

Granite sinks in SilicaTec have been added to complement our stainless steel range. SilicaTec is the material of the future and its warm looks bring natural colours into the

kitchen. This welcoming character generates a feel-good atmosphere that resonates with today's trend for integrating kitchen and living areas. For even more individuality, SilicaTec

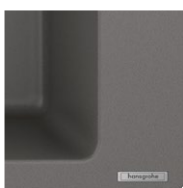
is available in three colours, allowing colour accents to be added to the kitchen design.



stainless steel  
-800



graphite black  
-170



stone grey  
-290



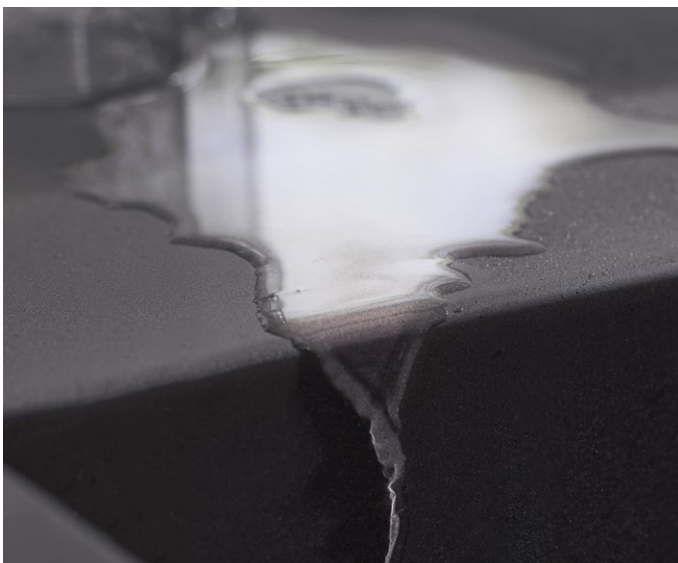
concrete grey  
-380



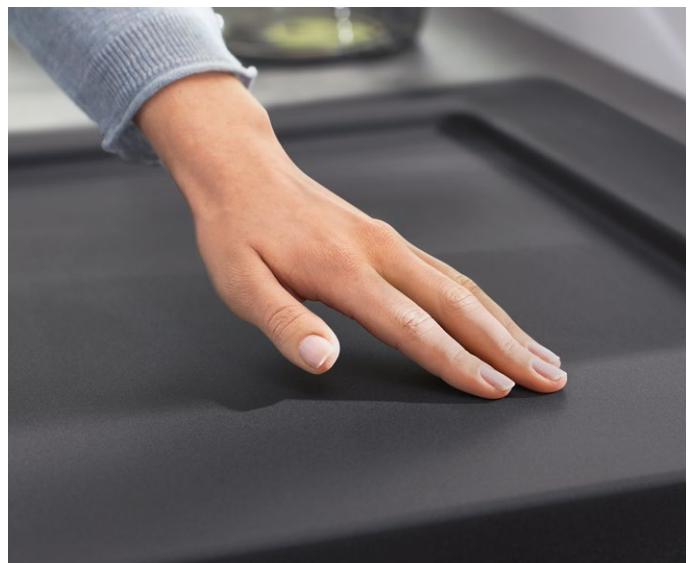
**Exclusive:** 1 mm thick hand-welded stainless steel sinks shine with their precision edges and 10mm corner radii.



**Durable:** Manufactured using edge-rounded quartz particles from Germany for a tough, hard surface.



**Pearling effect:** Thanks to its smooth, non-porous surface, water simply rolls off.



**Natural:** The material is pleasing to the touch and feels very natural.

All eyes on the kitchen

# Size and installation options for any kitchen

With a choice of bowl shapes including small, elongated or double and the various installation options, there is plenty of freedom

to design a completely individual kitchen. Having the drainer on the left gives an option to extend the working area. The large bowls

are ideal for filling and cleaning bulky items while a double sink makes it possible to carry out several tasks at the same time.



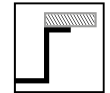
### Surface-mounted installation:

The sink is inserted from above into a hole cut in the worktop.



### Flush-fit installation:

The sink is fitted flush to the worktop, providing the seamless transition between sink and worktop that is only possible with stainless steel sinks.



### Under-mounted installation:

The sink is attached to the worktop from below. This makes the kitchen more spacious.



**Single bowl:** Suitable for base units from 80 cm with a bowl width of approx. 66 cm and for base units from 60 cm with a bowl width of approx. 45 cm (not shown).



**Double bowls:**

Suitable for base units from 80 cm with a bowl width of approx. 18cm and approx. 45 cm.



**Double bowls:**

Suitable for base units from 90 cm with each bowl width approx. 37 cm.



**Single bowl with drainer:**

Suitable for base units from 60 cm with a bowl width of approx. 45 cm.

Line 71 with tilt lever and Select button

# Ergonomic excellence for perfect performance

Our new water control concept can be found on the front edge of the sink and eliminates the handle on the kitchen mixer. Turning the ergonomic tilt lever controls the

water temperature while tilting it controls the water flow. Together with the tilt lever, there is an additional control option with the intuitive Select button. This enables the water to be

turned on and off at the touch of a button when you're involved in other tasks. This kitchen mixer can be found in Line 71 or as part of any sink combination unit.

## Example: Kitchen mixer M7119-H200

Minimalist design blends stylishly in any kitchen.

The spout swivels through 150 degrees for freedom of movement.



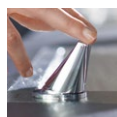
Use the Select button to turn the water flow on and off while working at the sink.



The practical pull-out spout reaches up to 76 cm for more flexibility.



Plenty of space under the pull-out spout e.g. for easy filling of large saucepans.



The tilt lever turns the water on and off and is used to select the water temperature.



Line 71 with Select button and 2 spray modes

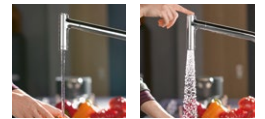
# New ergonomics and functionality for the modern kitchen

The intuitive Select button at the sink edge is a new way to control water in the kitchen. It allows you to turn the water on and off with a gentle press and operate the

automatic outflow fitting with one turn. An ergonomic handle makes for easy setting of the water flow and its temperature while a changeover button on the kitchen mixer lets

you choose between two spray modes. This kitchen mixer can be found in Line 71 or as part of any sink combination unit.

## Example: Kitchen mixer M7120-H220



Push the changeover button to swap between two spray modes.



The practical pull-out spout reaches up to 76 cm for more flexibility.



Plenty of space under the pull-out spout e.g. for easy filling of large saucepans.

The spout swivels through 150 degrees for freedom of movement.

Minimalistic form complements the contours of the sink.

Ergonomic handle turns the water on and off and is used to select water temperature.



Use the Select button to easily turn the water flow on and off while working at the sink. Simply turn to operate the automatic outflow fitting.







Sink combo C51-F660-02

Line 71 with Select button

# Perfect in the hand, perfect in design

Introducing a new kitchen mixer that allows you to comfortably control the water with no awkward twisting of the wrist. An ergonomic handle makes it easy to set the

water flow and temperature and the additional Select button on the kitchen mixer means the water can be turned on and off any time with the touch of a button. The pull-out spout

reaches up to 76 cm to give you a wider working area around the sink. This kitchen mixer and similar ones can be found in the Lines 71 and 51.

## Example: Kitchen mixer M7115-H320



Use the Select button to easily turn the water flow on and off while working at the sink



The practical pull-out spout reaches up to 76 cm for more flexibility.

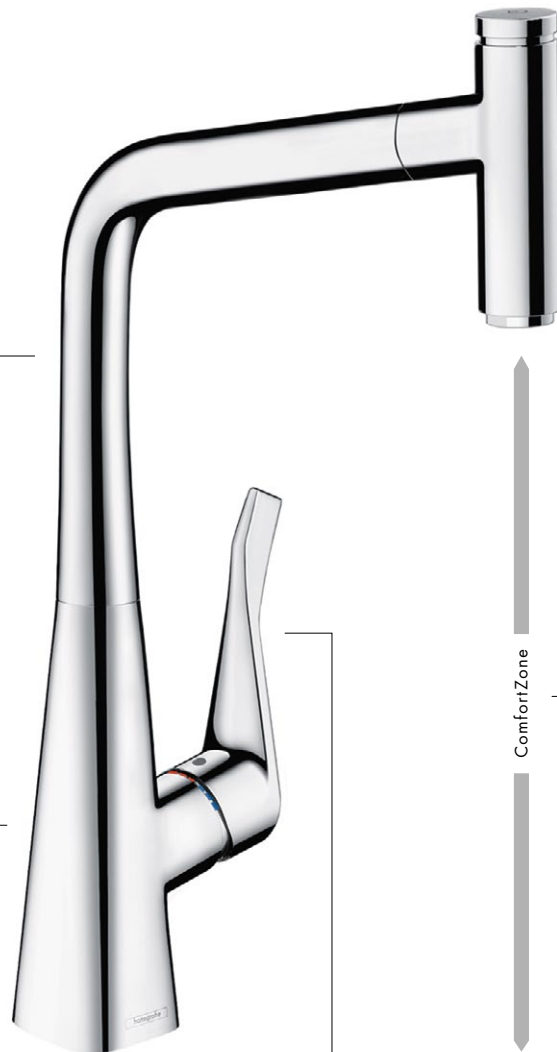
The spout swivels through 150 degrees for freedom of movement.

Minimalistic form complements the contours of the sink.

Ergonomic handle turns the water on and off and is used to select water temperature.



Plenty of space under the pull-out spout e.g. for easy filling of large saucepans.



ComfortZone



Line 51 with Select button

# An all-rounder for the modern kitchen

The timeless, tapering lines of this conical design will blend harmoniously with any modern kitchen. The generously-proportioned handle makes for easy setting of the water flow and temperature and thanks

to the additional Select button on the kitchen mixer, the water can be quickly turned on and off with a finger, the back of a hand or an arm. This gives you more freedom to move about, allowing you to work more efficiently. This

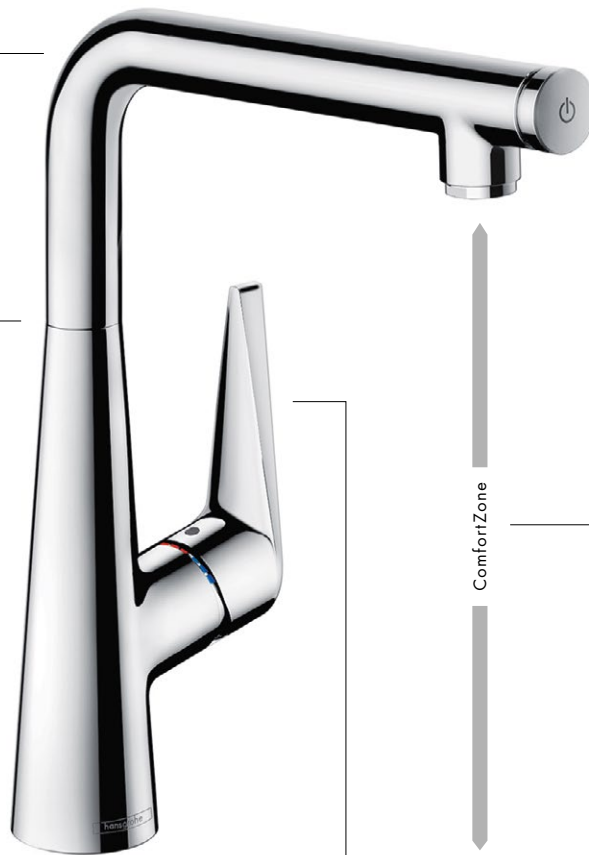
kitchen mixer and similar ones can be found in the Lines 71, 51 and 41.

## Example: Kitchen mixer M512-H300

The long spout swivels through 150 degrees for freedom of movement.

Easy to clean thanks to its smooth lines and uncluttered surfaces.

Elegant, luxurious appearance from an attractive tapering design.



Use the Select button to easily turn the water flow on and off while working at the sink.



Plenty of space under the pull-out spout e.g. for easy filling of large saucepans.

The generously-proportioned handle turns the water on and off and is used to select water temperature.



Line 71 with fold-down function: ideal for installation in front of a window; simply lift the mixer up when required and lay it flat.



Line 52 with 2 spray modes

# More freedom to move about when cooking and washing up

The purist rounded design will create elegance in any kitchen. A single lever makes setting the water flow and temperature easy

while a changeover button lets you choose between two spray modes. The pull-out spout reaches up to 76 cm to give you a wider

working area around the sink. This kitchen mixer and similar ones can be found in the Lines 51, 52 and 41.

## Example: Kitchen mixer M5216-H220

Elegant, stylish spout.



The spout swivels through 150 degrees for freedom of movement.

Purist design.



Push the changeover button to swap between two spray modes.



AirPower enriches the water with air to deliver a splash-free spray.



Line 71 with fold-down function: ideal for installation in front of a window; simply lift the mixer up when required and lay it flat.



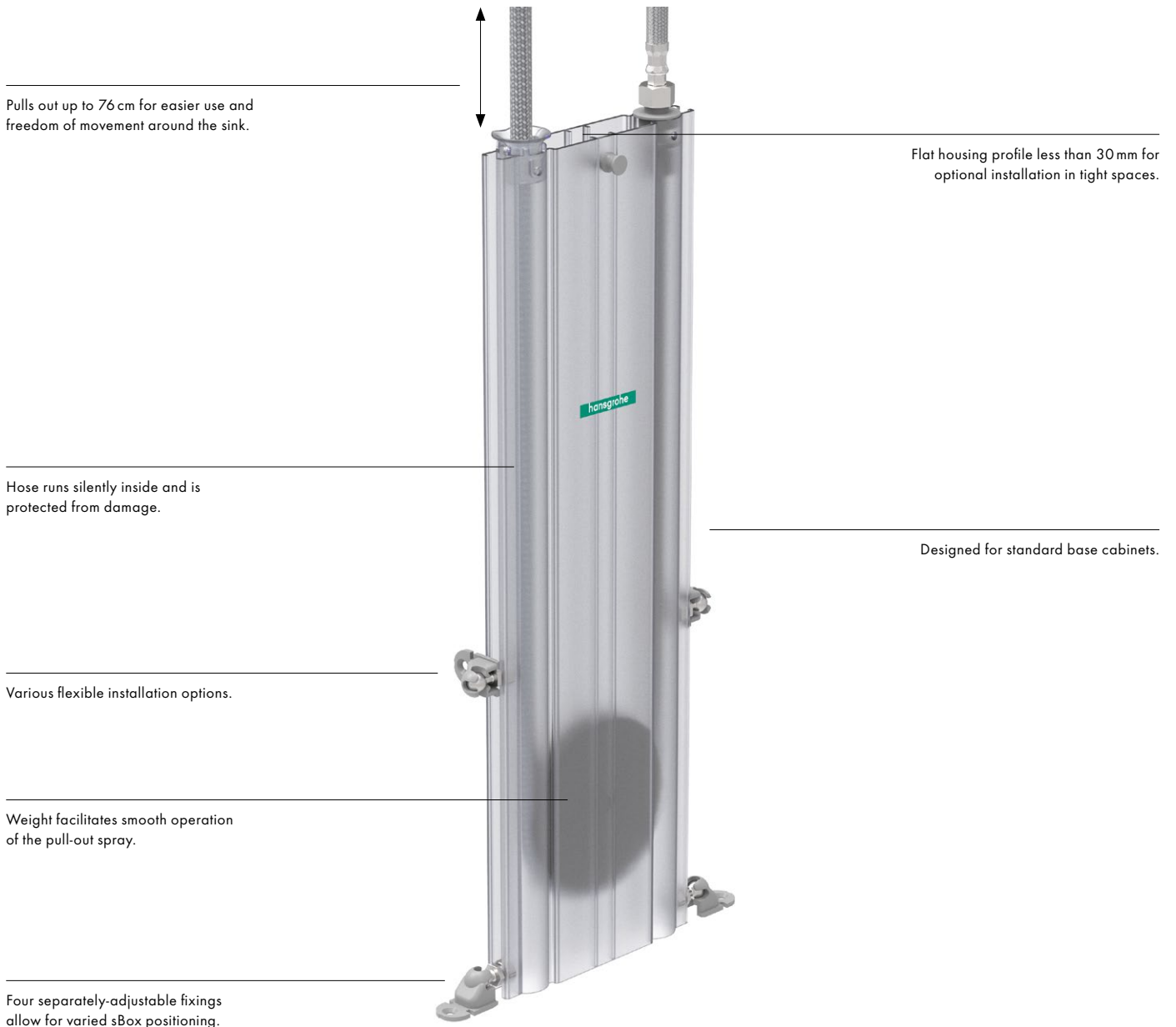
sBox

# Added comfort from an innovative hose guidance system in the base cabinet

Available as part of any sink combination unit or pull-out kitchen mixer, the sBox makes sure the hose pulls out and retracts easily and quietly. Inside an sBox the

hose cannot get caught or damaged in any way as hose weight safely guards and guides it away from any obstacles that might hinder its operation. The 52 cm box fits in any standard

base cabinet, creating a tidy base unit that leaves space for any waste system.







# Overview of the ranges

---

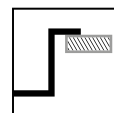




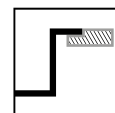
# Sink combinations in stainless steel

The range of sizes and function makes it easy to combine a sink combination with a matching mixer to create a truly modern unit. The combination of quality, design and function opens a whole new chapter in kitchen design. With the kitchen mixers, there is the

choice between those with the Select button and those with the tilt lever. Both are available in a chrome (-000) or stainless steel finish (-800) and each combination unit contains all the other necessary components.



Surface-mounted installation



Flush-fit installation



chrome  
-000



stainless steel finish  
-800



stainless steel  
-800



**C71-F450-01**  
Select sink combo 450 with  
2-hole kitchen mixer 220  
Base cabinet: 600 mm  
# 43207, -000, -800



**C71-F450-06**  
Sink combo 450 with  
2-hole Select kitchen mixer 200  
Base cabinet: 600 mm  
# 43201, -000, -800



**C71-F660-03**  
Select sink combo 660 with  
2-hole kitchen mixer 320  
Base cabinet: 800 mm  
# 43209, -000, -800



**C71-F660-08**  
Sink combo 660 with  
2-hole Select kitchen mixer 200  
Base cabinet: 800 mm  
# 43202, -000, -800





**C71-F655-04**  
 Select sink combo 180/450 with  
 2-hole kitchen mixer 320  
 Base cabinet: 800 mm  
 # 43210, -000, -800



**C71-F655-09**  
 Sink combo 180/450 with  
 2-hole Select kitchen mixer 200  
 Base cabinet: 800 mm  
 # 43206, -000, -800



**C71-F765-05**  
 Select sink combo 370/370 with  
 2-hole kitchen mixer 320  
 Base cabinet: 900 mm  
 # 43211, -000, -800



**C71-F765-10**  
 Sink combo 370/370 with  
 2-hole Select kitchen mixer 200  
 Base cabinet: 900 mm  
 # 43203, -000, -800



**C71-F450-02**  
 Select sink combo 450 drainer with  
 2-hole kitchen mixer 220  
 Base cabinet: 600 mm  
 # 43208, -000, -800



**C71-F450-11**  
 (Drainer right, not shown)  
 # 43229, -000, -800

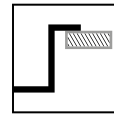


**C71-F450-07**  
 Sink combo 450 drainer with  
 2-hole Select kitchen mixer 200  
 Base cabinet: 600 mm  
 # 43205, -000, -800

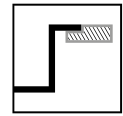


**C71-F450-12**  
 (Drainer right, not shown)  
 # 43230, -000, -800

# Sinks in stainless steel



Surface-mounted installation



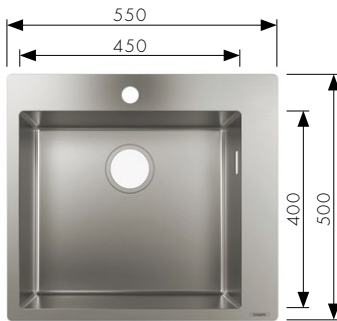
Flush-fit installation

A choice of bowl shapes including small, elongated or double ensures the freedom to design a completely individual kitchen. Having the drainer on the left gives an option to extend the working area. The larger bowls are ideal for filling and cleaning bulky

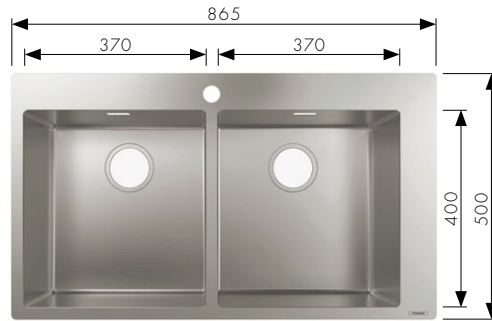
items while a double sink makes it possible to carry out several tasks at the same time. As every sink can be combined with any mixer in various installation options, the kitchen can be designed to meet the customer's every preference.



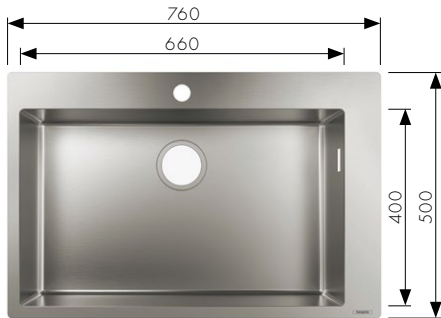
stainless steel  
-800



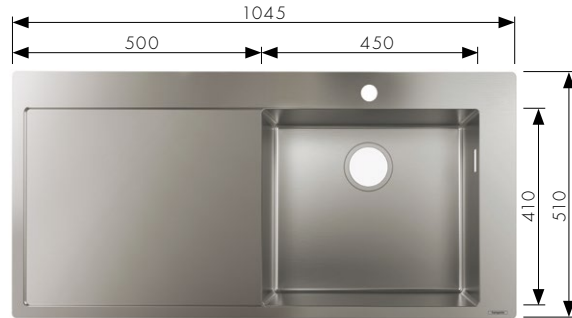
**S711-F450** Built-in sink 450  
Base cabinet: 600 mm  
# 43301, -800, with tap hole drilling  
# 43920000 Manual outflow and overflow system



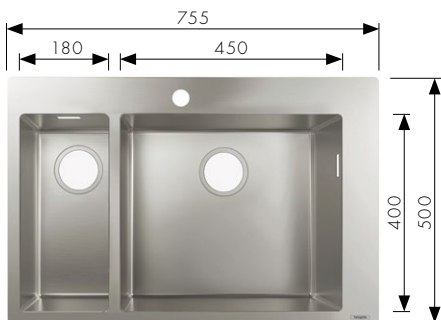
**S711-F765** Built-in sink 370/370  
Base cabinet: 900 mm  
# 43303, -800, with tap hole drilling  
# 43922000 Manual outflow and overflow system



**S711-F660** Built-in sink 660  
Base cabinet: 800 mm  
# 43302, -800, with tap hole drilling  
# 43921000 Manual outflow and overflow system



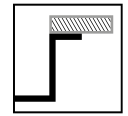
**S715-F450** Built-in sink 450 with drainer  
Base cabinet: 600 mm  
# 43306, -800, with tap hole drilling  
# 43920000 Manual outflow and overflow system  
**S716-F450**  
(Drainer right, not shown)  
# 43331, -800, with tap hole drilling  
# 43920000 Manual outflow and overflow system



**S711-F655** Built-in sink 180/450  
Base cabinet: 800 mm  
# 43309, -800, with tap hole drilling  
# 43924000 Manual outflow and overflow system

The sinks are all 190 mm deep (main bowl), and are also available with 2 tap hole drillings and an automatic outflow and overflow system. All measurements are in mm. You will find further information at [www.hansgrohe.com](http://www.hansgrohe.com)

# Under-mounted sinks in stainless steel



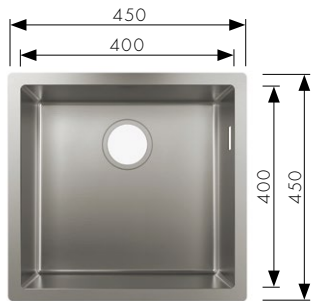
Undermounted

Thanks to a seamless installation, our under-mounted sinks blend smoothly with the kitchen to create a single unit. With these sinks, there is a wide selection of sizes and a choice of single or double bowls. As they are secured to the worktop from below, it makes

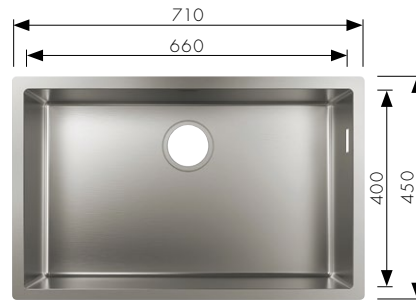
any kitchen feel more spacious. Which is why under-mounted sinks are ideal for worktops made of materials that are not sensitive to water – natural stone, concrete or quartz.



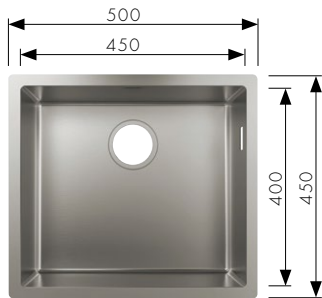
stainless steel  
-800



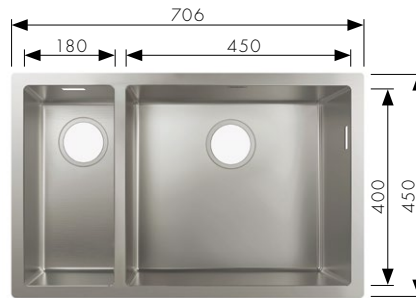
**S719-U400** Undermount sink 400  
Base cabinet: 500 mm  
# 43425, -800  
# 43920000 Manual outflow and overflow system



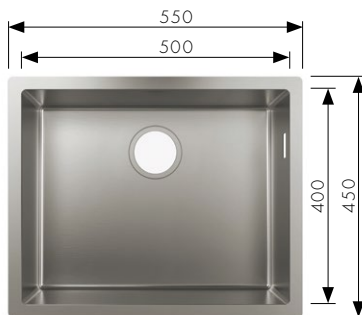
**S719-U660** Undermount sink 660  
Base cabinet: 800 mm  
# 43428, -800  
# 43921000 Manual outflow and overflow system



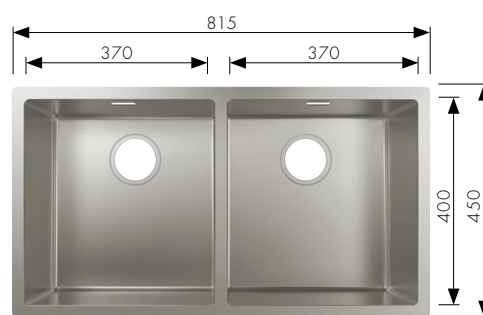
**S719-U450** Undermount sink 450  
Base cabinet: 600 mm  
# 43426, -800  
# 43920000 Manual outflow and overflow system



**S719-U655** Undermount sink 180/450  
Base cabinet: 800 mm  
# 43429, -800  
# 43924000 Manual outflow and overflow system



**S719-U500** Undermount sink 500  
Base cabinet: 600 mm  
# 43427, -800  
# 43926000 Manual outflow and overflow system



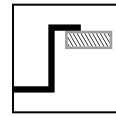
**S719-U765** Undermount sink 370/370  
Base cabinet: 900 mm  
# 43430, -800  
# 43922000 Manual outflow and overflow system

The undermount sinks are all 190 mm deep (main bowl), and are also available with an automatic outflow and overflow system. All measurements are in mm. You will find further information at [www.hansgrohe.com](http://www.hansgrohe.com)

# Sink combinations in granite SilicaTec

The range of sizes and function makes it easy to combine a sink combination with a matching mixer to create a truly modern unit. The combination of quality, design and function opens a whole new chapter in kitchen design. With the kitchen mixers, there is the choice

between those with the Select button and those with the tilt lever. Each combination unit contains all the other necessary components.



Surface-mounted  
installation



graphite black  
-170



chrome  
-000



**C51-F450-01**  
Select sink combo 450 with  
2-hole kitchen mixer 220  
Base cabinet: 600 mm  
# 43212, -000



**C51-F450-06**  
Sink combo 450 with  
2-hole Select kitchen mixer 200  
Base cabinet: 600 mm  
# 43217, -000



**C51-F660-02**  
Select sink combo 660 with  
2-hole kitchen mixer 320  
Base cabinet: 800 mm  
# 43213, -000



**C51-F660-07**  
Sink combo 660 with  
2-hole Select kitchen mixer 200  
Base cabinet: 800 mm  
# 43218, -000







**C51-F635-04**

Select sink combo 180/450 with  
2-hole kitchen mixer 320  
Base cabinet: 800 mm  
# 43215, -000



**C51-F635-09**

Sink combo 180/450 with  
2-hole Select kitchen mixer 200  
Base cabinet: 800 mm  
# 43220, -000



**C51-F770-05**

Select sink combo 370/370 with  
2-hole kitchen mixer 320  
Base cabinet: 900 mm  
# 43216, -000



**C51-F770-10**

Sink combo 370/370 with  
2-hole Select kitchen mixer 200  
Base cabinet: 900 mm  
# 43221, -000



**C51-F450-03**

Select sink combo 450 drainer with  
2-hole kitchen mixer 220  
Base cabinet: 600 mm  
# 43214, -000

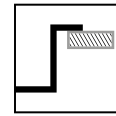


**C51-F450-08**

Sink combo 450 drainer with  
2-hole Select kitchen mixer 200  
Base cabinet: 600 mm  
# 43219, -000



# Sinks in granite SilicaTec



Surface-mounted installation



graphite black -170



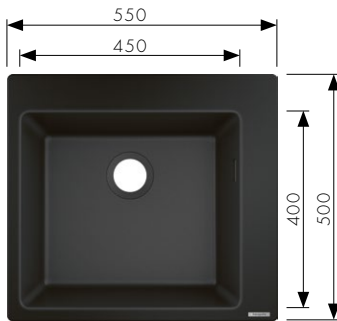
concrete grey -380



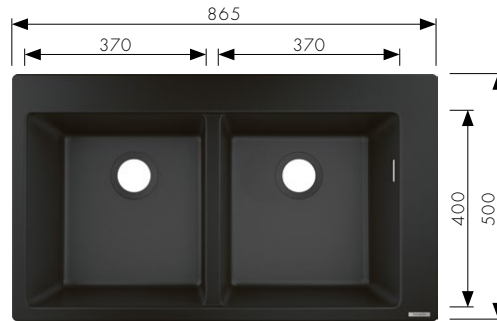
stone grey -290

With a choice of bowl shapes including small, elongated or double, there is plenty of freedom to design a completely individual kitchen. Having the drainer on the left gives an option to extend the working area. The larger bowls are ideal for filling and

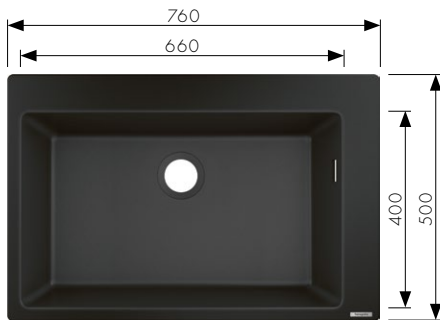
cleaning bulky items. And a double sink makes it possible to carry out several tasks at the same time. As the sinks can be combined with any kitchen mixer and offer various installation options, the kitchen can be designed to meet the customer's every preference.



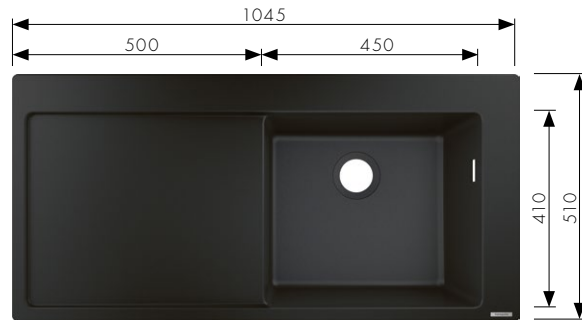
**S510-F450** Built-in sink 450  
Base cabinet: 600 mm  
# 43312, -170, -290, -380  
# 43927000 Manual outflow and overflow system



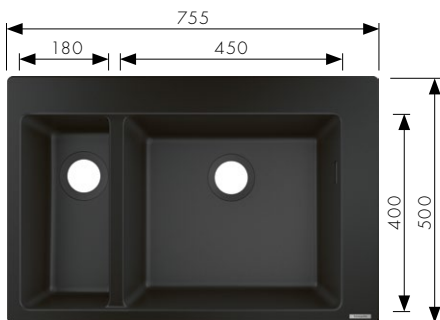
**S510-F770** Built-in sink 370/370  
Base cabinet: 900 mm  
# 43316, -170, -290, -380  
# 43928000 Manual outflow and overflow system



**S510-F660** Built-in sink 660  
Base cabinet: 800 mm  
# 43313, -170, -290, -380  
# 43927000 Manual outflow and overflow system



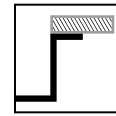
**S514-F450** Built-in sink 450 with drainer  
Base cabinet: 600 mm  
# 43314, -170, -290, -380  
# 43927000 Manual outflow and overflow system



**S510-F635** Built-in sink 180/450  
Base cabinet: 800 mm  
# 43315, -170, -290, -380  
# 43928000 Manual outflow and overflow system

The sinks are all 190 mm deep (main bowl), and are also available with an automatic outflow and overflow system. All measurements are in mm. You will find further information at [www.hansgrohe.com](http://www.hansgrohe.com)

# Under-mounted sinks in SilicaTec



Undermounted



graphite black  
-170



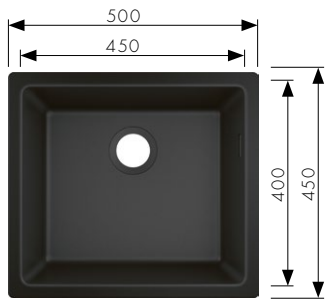
concrete grey  
-380



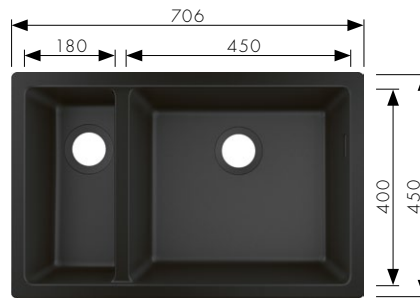
stone grey  
-290

Thanks to a seamless installation, our under-mounted sinks blend smoothly with the kitchen to create a single unit. With these sinks, there is a wide selection of sizes and a choice of single or double bowls. As they are secured to the worktop from below, it makes any kitchen

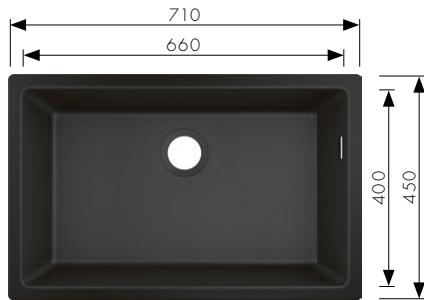
feel more spacious. This is why under-mounted sinks are ideal for worktops made of materials that are not sensitive to water – natural stone, concrete or quartz.



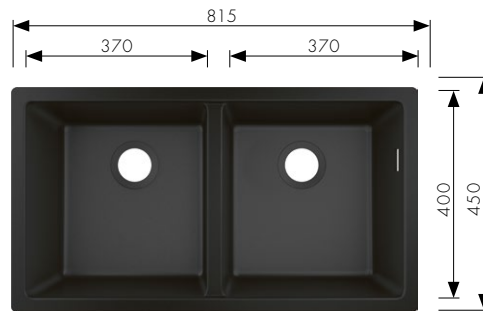
**S510-U450** Undermount sink 450  
Base cabinet: 600 mm  
# 43431, -170, -290, -380  
# 43927000 Manual outflow and overflow system



**S510-U635** Undermount sink 180/450  
Base cabinet: 800 mm  
# 43433, -170, -290, -380  
# 43928000 Manual outflow and overflow system

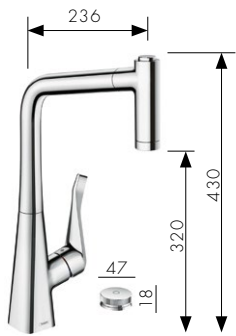


**S510-U660** Undermount sink 450  
Base cabinet: 800 mm  
# 43432, -170, -290, -380  
# 43927000 Manual outflow and overflow system



**S510-U770** Undermount sink 370/370  
Base cabinet: 900 mm  
# 43434, -170, -290, -380  
# 43928000 Manual outflow and overflow system

# Line 71



**M7120-H320**  
2-hole Select single lever kitchen mixer 320  
with pull-out spray, two spray types  
# 73806, -000, -800



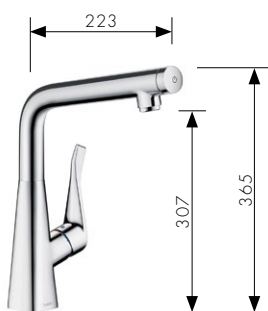
**M7120-H220**  
2-hole Select single lever kitchen mixer 220  
with pull-out spray, two spray types  
# 73805, -000, -800



**M7115-H320**  
Select single lever kitchen mixer 320  
with pull-out spout  
# 73803, -000, -800



**M7115-H240**  
Select single lever kitchen mixer 240  
with pull-out spout  
# 73802, -000, -800



**M712-H320**  
Select single lever kitchen mixer 320  
with swivel spout  
# 73810, -000, -800



**M712-H260**  
Select single lever kitchen mixer 260  
with swivel spout  
# 73811, -000, -800



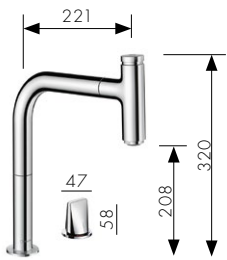


chrome  
-000



stainless steel finish  
-800

**M7119-H200**  
2-hole Select kitchen mixer 200  
with pull-out spout  
# 73804, -000, -800



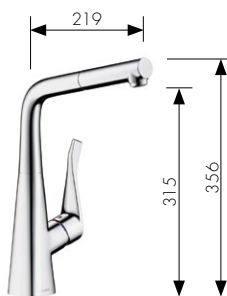
**M7116-H320**  
Single lever kitchen mixer 320  
with pull-out spray, two spray types  
# 73801, -000, -800



**M7116-H220**  
Single lever kitchen mixer 220  
with pull-out spray, two spray types  
# 73800, -000, -800



**M7114-H320**  
Single lever kitchen mixer 320  
with pull-out spout  
# 73812, -000, -800



**M711-H320**  
Single lever kitchen mixer 320  
with swivel spout  
# 73813, -000, -800



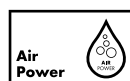
**M713-H320**  
for installation in front of a window  
# 73814000



**M714-H320**  
with shut-off valve  
# 73815000



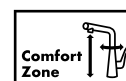
Regulates the water flow at a simple push: a touch of playfulness as you start and stop.



Combines water with a generous amount of air. For an especially homogeneous and splash-free water spray.



Limescale deposits are simply wiped away by rubbing a finger over the flexible silicone slats.



Defines the height, side clearance, and - with pull-out function - the length of the space around the mixer.

# Line 52



chrome  
-000



stainless steel finish  
-800



**M5216-H220**  
Single lever kitchen mixer 220  
with pull-out spray, two spray types  
# 73863, -000, -800



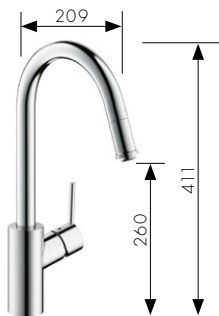
Window installation possible



**M5216-H170**  
Single lever kitchen mixer 170  
with pull-out spray, two spray types  
# 73860, -000, -800



**M525-H170**  
for open water heaters  
# 73861000



**M5214-H260**  
Single lever kitchen mixer 260  
with pull-out spout  
# 73864, -000, -800



Window installation possible



**M521-H170**  
Single lever kitchen mixer 170  
with swivel spout  
# 73862, -000, -800



**M521-H270**  
Single lever kitchen mixer 270  
with swivel spout  
# 73865, -000, -800



**M524-H270**  
with shut-off valve  
# 73866000

# Line 51



chrome  
-000



stainless steel finish  
-800



**M5116-H200**  
Single lever kitchen mixer 200  
with swivel spout  
# 73851, -000, -800



**M5115-H300**  
Select single lever kitchen mixer 300  
with pull-out spout  
# 73853, -000, -800



**M5116-H160**  
Single lever kitchen mixer 160  
with pull-out spray, two spray types  
# 73850, -000, -800



**M5115-H220**  
Select single lever kitchen mixer 220  
with pull-out spout  
# 73852, -000, -800



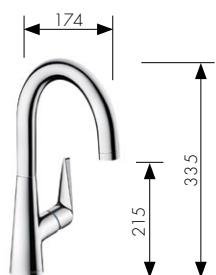
**M511-H260**  
Single lever kitchen mixer 260  
with swivel spout  
# 73855, -000, -800



**M515-H260**  
for open water heaters  
# 73856000



**M512-H300**  
Select single lever kitchen mixer 300  
with swivel spout  
# 73854, -000, -800



**M511-H220**  
Single lever kitchen mixer 220  
with swivel spout  
# 73857, -000, -800



**M514-H220**  
with shut-off valve  
# 73858000

# Line 41



chrome  
-000



stainless steel finish  
-800



**M4116-H240**  
Single lever kitchen mixer 240  
with pull-out spray, two spray types,  
swivel spout  
# 73880, -000, -800



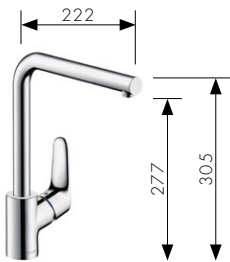
**M411-H160**  
Single lever kitchen mixer 160  
with swivel spout  
# 73885, -000, -800



**M415-H160**  
for open water heaters  
# 73886000



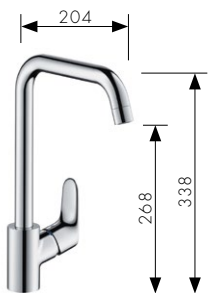
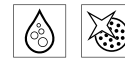
**M414-H200**  
with shut-off valve  
# 73887000



**M411-H280**  
Single lever kitchen mixer 280  
with swivel spout  
# 73881, -000, -800



**M416-W260**  
Single lever kitchen mixer 260  
for wall installation, swivel spout  
# 73888, -000



**M411-H260**  
Single lever kitchen mixer 260  
with swivel spout  
# 73882, -000, -800



**M415-H260**  
for open water heaters  
# 73883000



**M414-H260**  
with shut-off valve  
# 73884000



hansgrohe kitchen technologies

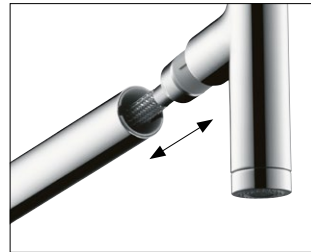
# Quality kitchen aids to make life easier



**ComfortZone height:**  
An ultra-high spout offers plenty of space, ideal for filling large containers and pots.



**ComfortZone swivel function:**  
Swivel range (110°/120°/150°) or all-round freedom of movement (360°).



**ComfortZone pull-out function:**  
Extends working range by 76 cm. Helpful, for instance, when filling a kettle or watering plants.



**sBox:**  
The hose of the pull-out spout is guided safely in the sBox and protected against damage.



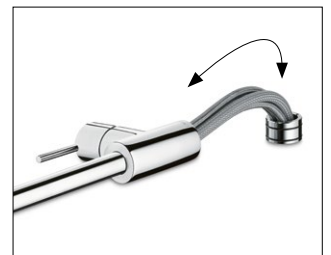
**Ergonomic handles:**  
Long flat handles for ease of control.



**Vertical handle position:**  
For space-saving installation against a wall. Also keeps handle out of reach of children's hands.



**Variable handle positioning:**  
The handle can be installed on the left or right as preferred.



**Fold-down function for window installation:**  
Ideal for installation in front of a window; simply lift the mixer up when required and lay it down.



**Stainless steel finish PVD:**  
Surfaces in stainless steel finish are made using PVD technology and are particularly resistant to wear and scratches.



**QuickClean:**  
It is very difficult for limescale to take hold on the elastic disc and if it does, it can easily be rubbed away with a finger.



**MagFit magnetic holder:**  
Thanks to the MagFit function, the hose slides back almost silently and slots into place in the centre of the mixer spout.



**Pull-out spray with two spray modes:**  
The pull-out spray offers two spray modes (normal and shower) which are easily changed from one to the other.



**Five year guarantee:**  
With a five-year warranty you can always trust hansgrohe quality.



**Safe, easy installation:**  
Flexible connections and an integrated stabilisation plate make installation easier. The PEX hoses are temperature-resistant and neutral in taste and odour.



**Ceramic cartridge with Boltic handle lock:**  
Handle lock ensures wobble-free operation and a durable mixer.



**Quality Made by hansgrohe:**  
High quality materials and adherence to strict international standards ensure customers enjoy a long-term, high quality product.



**BORA**  
hansgrohe

© Bettiniphoto

hansgrohe Sponsorship

# Maximum performance in the kitchen and on a bike



For a team to perform at its absolute best, every single member must match up perfectly and work together in total harmony. Just like hansgrohe mixer taps and sinks work as a perfectly matched team in the kitchen, thanks to their innovative control concept. That's why hansgrohe is the official title sponsor of BORA-hansgrohe, the world-class

cycling team. Professional cycling is a sport as dynamic, efficient and innovative as our own hansgrohe products. To find out where and when you can see our cyclists in action, go to **bora-hansgrohe.com** or follow the team daily on social media:



[BORA-hansgrohe.com](https://www.bora-hansgrohe.com)  
[hansgrohe.com](https://www.hansgrohe.com)



[facebook.com/Borahansgroheofficial](https://www.facebook.com/Borahansgroheofficial)  
[facebook.com/hansgrohe](https://www.facebook.com/hansgrohe)  
[facebook.com/PeterSagan](https://www.facebook.com/PeterSagan)



[instagram.com/borahansgrohe](https://www.instagram.com/borahansgrohe)  
[instagram.com/hansgrohe](https://www.instagram.com/hansgrohe)



Team App:  
Download from the Google  
Play Store or Apple App Store.



© BORA

Left: Santos Tour Down Under 2018, Stage 4 128.2 km from Norwood to Uraidla, Stage winner, Peter Sagan.  
Right: Peter Sagan, world cycling champion 2015/2016/2017.

## hansgrohe kitchen technologies



Regulates the water flow with a simple push: an enjoyable way to start and finish any task.



Enriches the water with a generous quantity of air for a refreshingly reliable splash-free spray.

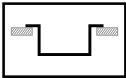


Limescale deposits are easily wiped away by rubbing a finger over the flexible silicone slats.

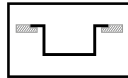


Defines the height, side clearance and – with the pull-out function – the length of the space around the mixer.

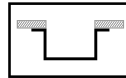
## Sink installation options



**Surface-mounted:**  
The sink is inserted from above into a hole cut in the worktop.



**Flush-fit:**  
The sink is fitted flush to the worktop, providing the seamless transition between sink and worktop that is only possible with stainless steel sinks.



**Under-mounted:**  
The sink is lowered into the worktop, making the kitchen appear more spacious.

## Sink colours and materials

Add the 3-digit suffix to create an 8-digit order number, e.g. # 43312, -170, -290 = # 43312170 for graphite black, and # 43312290 for stone grey.



graphite black  
-170



stone grey  
-290



concrete grey  
-380



stainless steel  
-800

## Kitchen mixer finishes

Add the 3-digit suffix to create an 8-digit order number, e.g. # 73806, -000, -800 = # 73806000 for chrome, and # 73806800 for stainless steel finish.



chrome  
-000



stainless steel finish  
-800

This brochure contains only a small selection of our products.

**Explore the full range at [www.hansgrohe-int.com](http://www.hansgrohe-int.com)**

**Headquarters** – Hansgrohe SE · P.O. Box 1145 · D-77757 Schiltach

Tel. +49 7836 51-0 · Fax +49 7836 51-1300 · [info@hansgrohe.com](mailto:info@hansgrohe.com) · [www.hansgrohe.com](http://www.hansgrohe.com)

**Australia** – Hansgrohe Pty Ltd · Level 1 · 123 Camberwell Rd · East Hawthorn · Victoria 3123 · Australia

Tel: +61 3 9811 9971 · [info@hansgrohe.com.au](mailto:info@hansgrohe.com.au) · [www.hansgrohe.com.au](http://www.hansgrohe.com.au)

**India** – Hansgrohe India (pvt.) Ltd. · Office Nos. 601 · 604 · Sky Station · Viman Nagar · 411 016 Pune · Maharashtra · India

Tel. +91 20 6625 9595 · [info@hansgrohe.in](mailto:info@hansgrohe.in)

**Latvia** – SIA Aqua Studio · Raiņa str. 14 · LV-3913 Iecava · Tel. +371 29 229029 · Fax +371 3 942251 · [info@hansgrohe.lv](mailto:info@hansgrohe.lv) · [www.hansgrohe.lv](http://www.hansgrohe.lv)

**Lithuania** – Santoza · Ulonų g. 5 · LT-08240 Vilnius · Tel. +370 5 2043291 · Fax +370 5 2043293 · [info@hansgrohe.lt](mailto:info@hansgrohe.lt) · [www.hansgrohe.lt](http://www.hansgrohe.lt)

**Middle East** – Hansgrohe SE DMCC Branch · Jumeirah Lakes Towers · Cluster Y, Swiss Tower · Office 1904 · PO Box 34216, Dubai, UAE

Tel. +971 4 4480-200 · Fax +971 4 4480-299 · [me.support@hansgrohe.com](mailto:me.support@hansgrohe.com) · [www.hansgrohe-middleeast.com](http://www.hansgrohe-middleeast.com)

**South Africa** – Hansgrohe South Africa (Pty) Ltd. · P.O. Box 2912 · 136 Walton Road · Carlswald Midrand · ZA-1685 Halfway House

Tel. +27 11 468 11-50 · Fax +27 11 468 11-52 · [sales@hansgrohe.co.za](mailto:sales@hansgrohe.co.za) · [www.hansgrohe.co.za](http://www.hansgrohe.co.za)

**United Kingdom** – Hansgrohe · Units D1 and D2 · Sandown Park Trading Estate · Royal Mills · Esher · Surrey · KT10 8BL

Tel. +44 1372 472001 · Fax +44 1372 470670 · [enquiries@hansgrohe.co.uk](mailto:enquiries@hansgrohe.co.uk) · [www.hansgrohe.co.uk](http://www.hansgrohe.co.uk) · <http://pro.hansgrohe.co.uk>

